

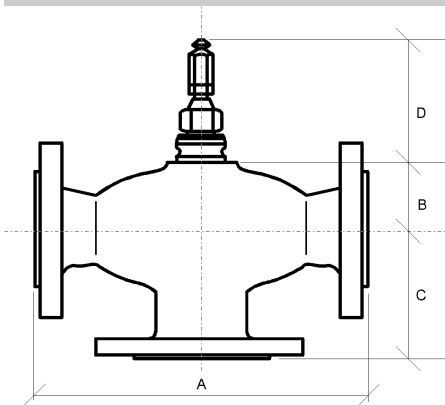
- Globe type three-way mixing valve
- Cast iron or ductile iron body with flanged end connections
- Stainless steel trim
- Very low leakage rate
- Direct acting, stem down closes port B.
- No stroke adjustment



### Product codes

Model	Valve size	Kvs
VGf3-16-15	ND15 1/2"	4.0
VGf3-16-20	ND20 3/4"	6.3
VGf3-16-25	ND25 1"	10
VGf3-16-32	ND32 1 1/4"	16
VGf3-16-40	ND40 1 1/2"	25
VGf3-16-50	ND50 2"	40
VGf3-16-65	ND65 2 1/2"	63
VGf3-16-80	ND80 3"	100
VGf3-16-100	ND100 4"	160
VGf3-16-125	ND125 5"	250
VGf3-16-150	ND150 6"	360

### Dimensions



	A (mm)	B (mm)	C (m)	Weight (kg)
ND15	130	55	90	4
ND20	150	55	95	6
ND25	160	60	100	7
ND32	180	60	105	9
ND40	200	65	115	11
ND50	230	70	125	15
ND65	290	77	145	23
ND80	310	90	155	28
ND100	350	110	175	40
ND125	410	125	180	52
ND150	480	140	200	80

When trim is up (A-AB is open)

D=127 mm (ND15...ND80)

D=145 mm (ND100...ND150)

### Specifications

Nominal Pressure Rating	PN 16
Body End Connections	Flanged (suitable to DIN norms)
Flow Characteristic	Port A-AB equal percentage Port B-AB linear
Rangeability	30:1
Leakage Rate	<0.5% of kVS A-AB <1.0% of kVS B-AB
Stroke	ND15...ND80 20 mm ND100...ND150 38 mm
Valve Body Material	Cast iron
Trim	Stainless steel
Seat	Integrated in valve body
Packing	Spring loaded PTFE cone rings
Max. Medium Temperature and Pressure	2-120°C; 16 Bar 120-170°C; 14 Bar
Min. Medium Temperature	2 °C

### Close off rating (Bar)

		15	20	25	32	40	50	65	80
NV serisi	800 N	10	10	10	7.5	4.6	2.6	1.5	0.8
NVG serisi	1'600 N	16	16	16	16	14	8.5	5.5	3.5
MVS 20 N serisi	1'800N	16	16	16	16	16	10	6.5	4.0
MVG 20 Y serisi	4'500 N	16	16	16	16	16	16	13.5	9.0
MVG 20 N serisi	12'500 N	16	16	16	16	16	16	16	16
		<b>100</b>	<b>125</b>	<b>150</b>					
MVS 38 Y serisi	800 N	0.5	0.5	0.2					
MVS 38 N serisi	1'800N	2.3	0.9	0.9					
MVG 38 Y serisi	2'200N	2.8	1.8	1.3					
MVG 38 N serisi	6'200 N	8.0	5.0	3.5					