



AFFORDABLE
elegance

Customizable, versatile, color touch-screen
room controller at an affordable price

Powered by
sedona
FRAMEWORK™

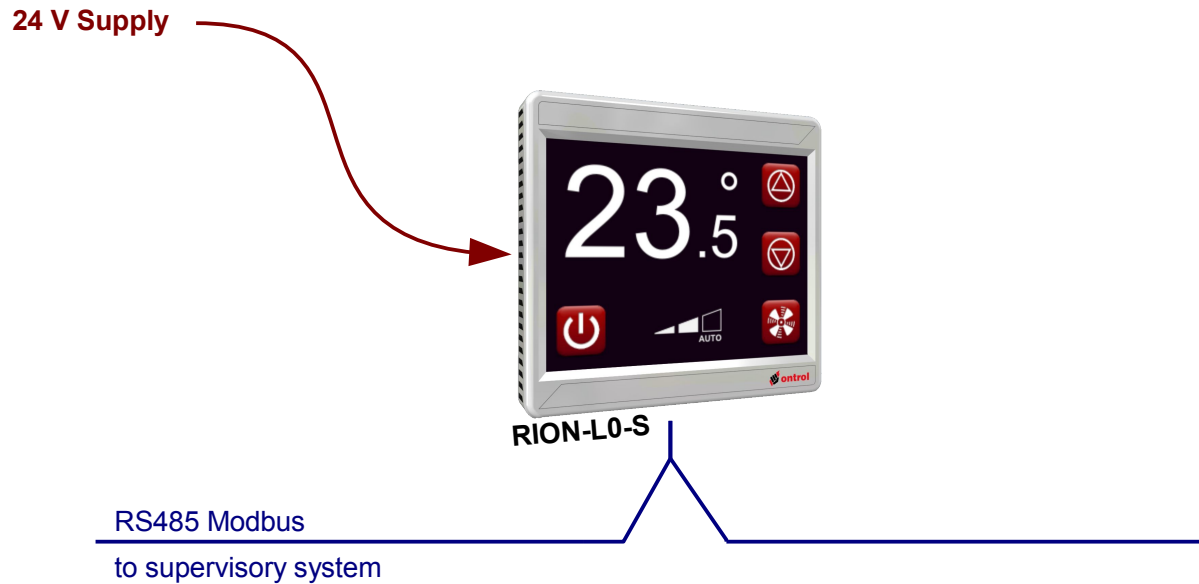
R-ION

TOPOLOGIES DOCUMENT



R-ION Topologies

Basic user-interface only

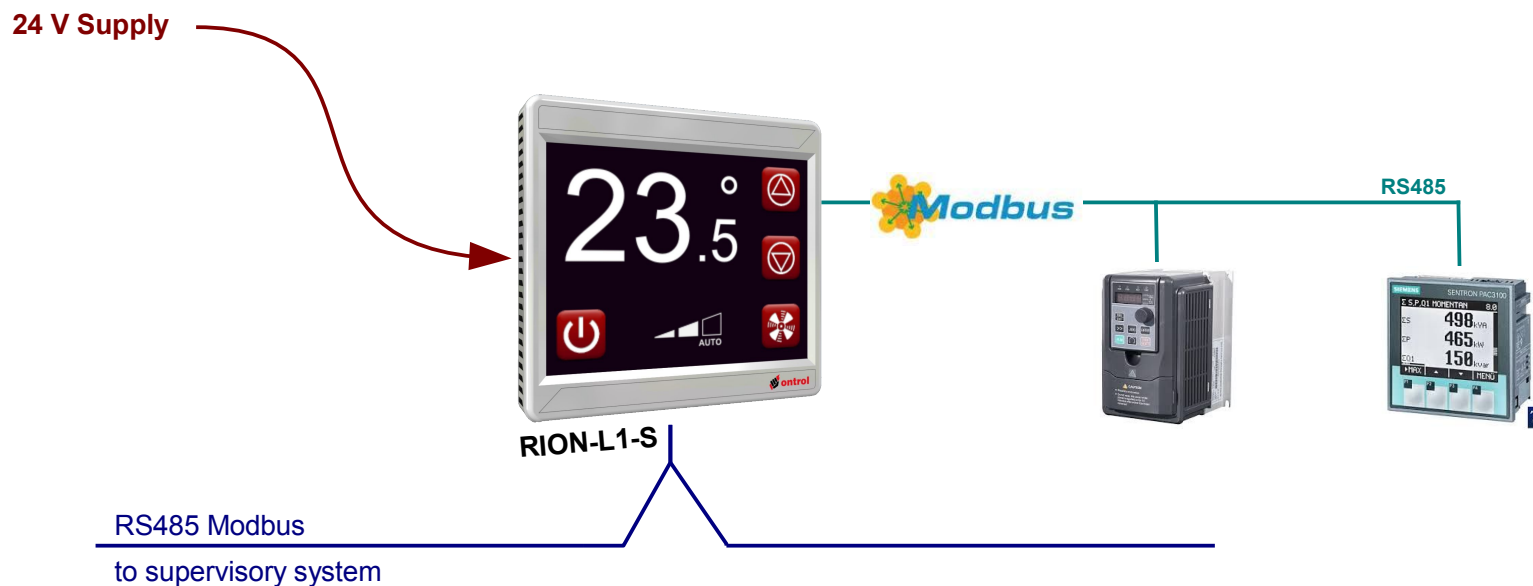


(Built-in temperature sensor standard on all versions)



R-ION Topologies

Auxiliary RS485 (-L1 versions) Modbus protocol

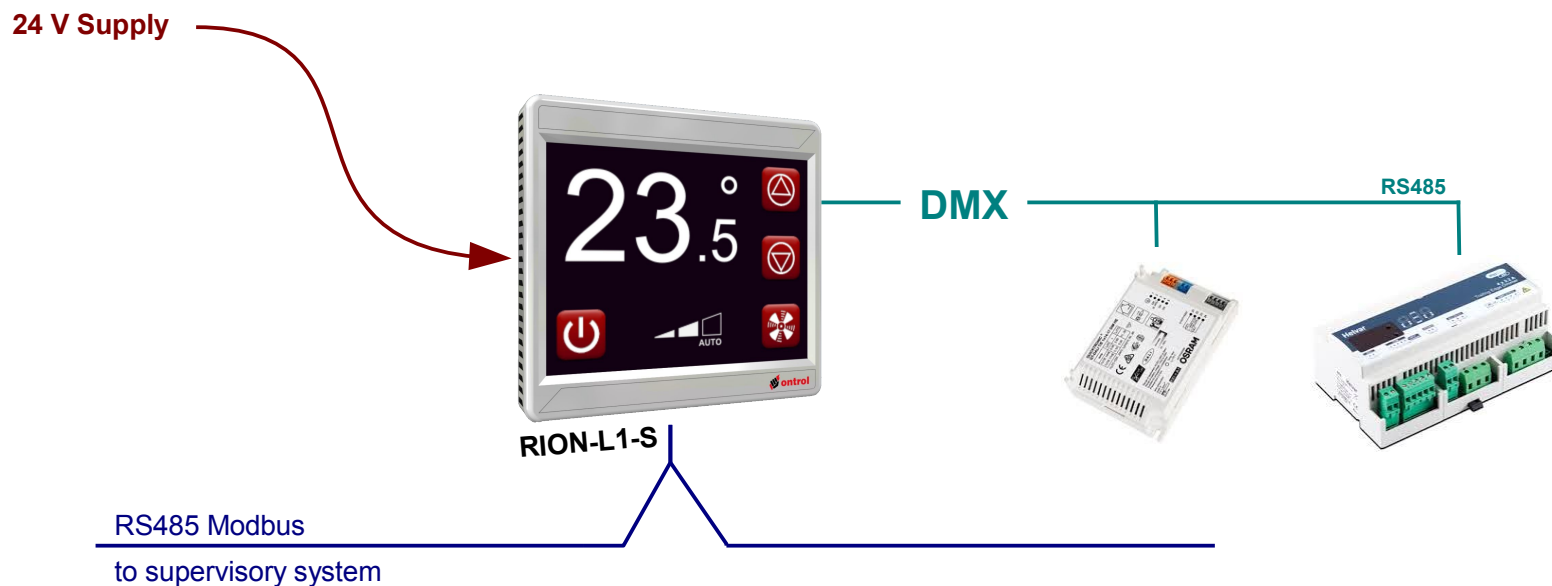


(Built-in temperature sensor standard on all versions)



R-ION Topologies

Auxiliary RS485 (-L1 versions) DMX protocol

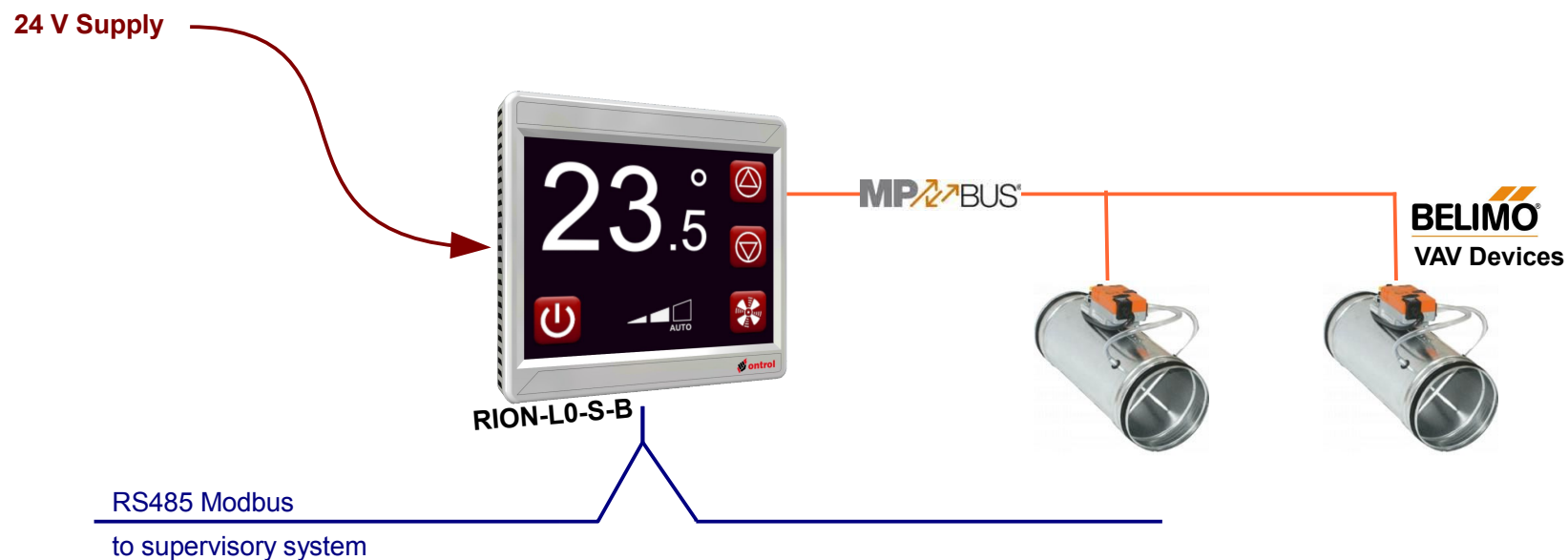


(Built-in temperature sensor standard on all versions)



R-ION Topologies

Auxiliary MP-Bus port VAV Control with Belimo

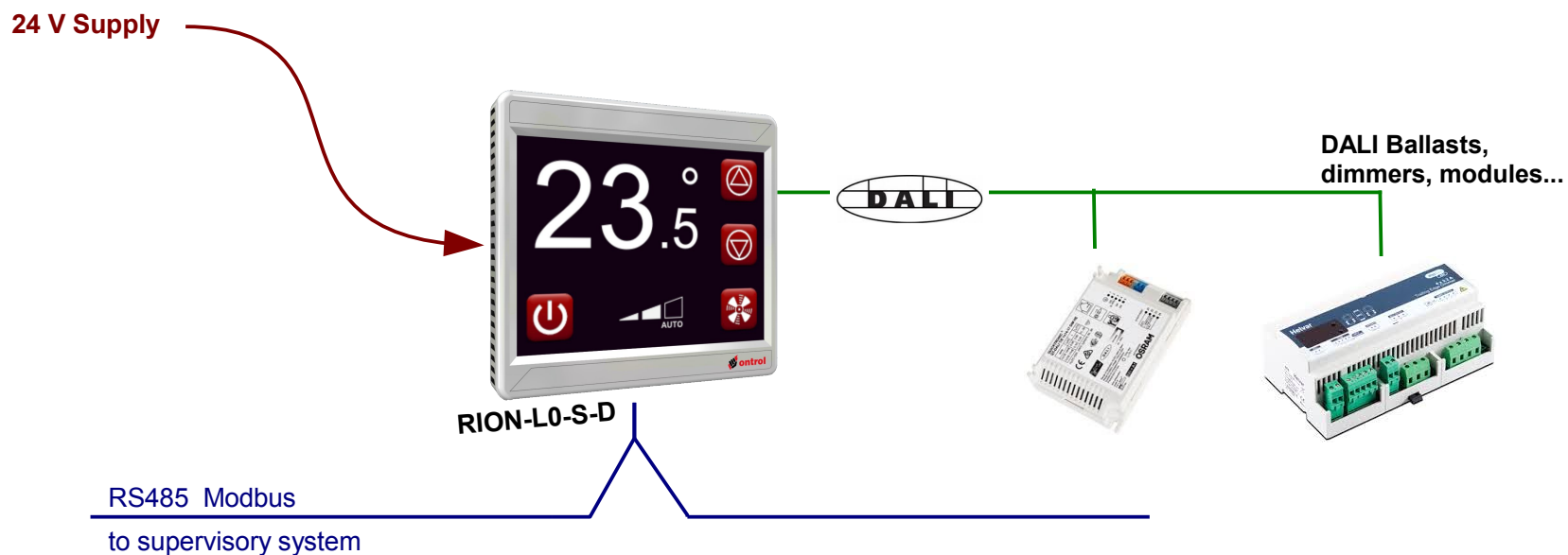


(Built-in temperature sensor standard on all versions)



R-ION Topologies

Auxiliary DALI port Lighting control



- Built-in temperature sensor standard on all versions



R-ION Topologies

Modbus/ Mp-Bus / Dali

Yes, it is possible!

24 V Supply



RION-L1-S-BD

RS485 Modbus
to supervisory system

Modbus



MP-BUS



BELIMO
VAV Devices



DALI

DALI Ballasts,
dimmers, modules...

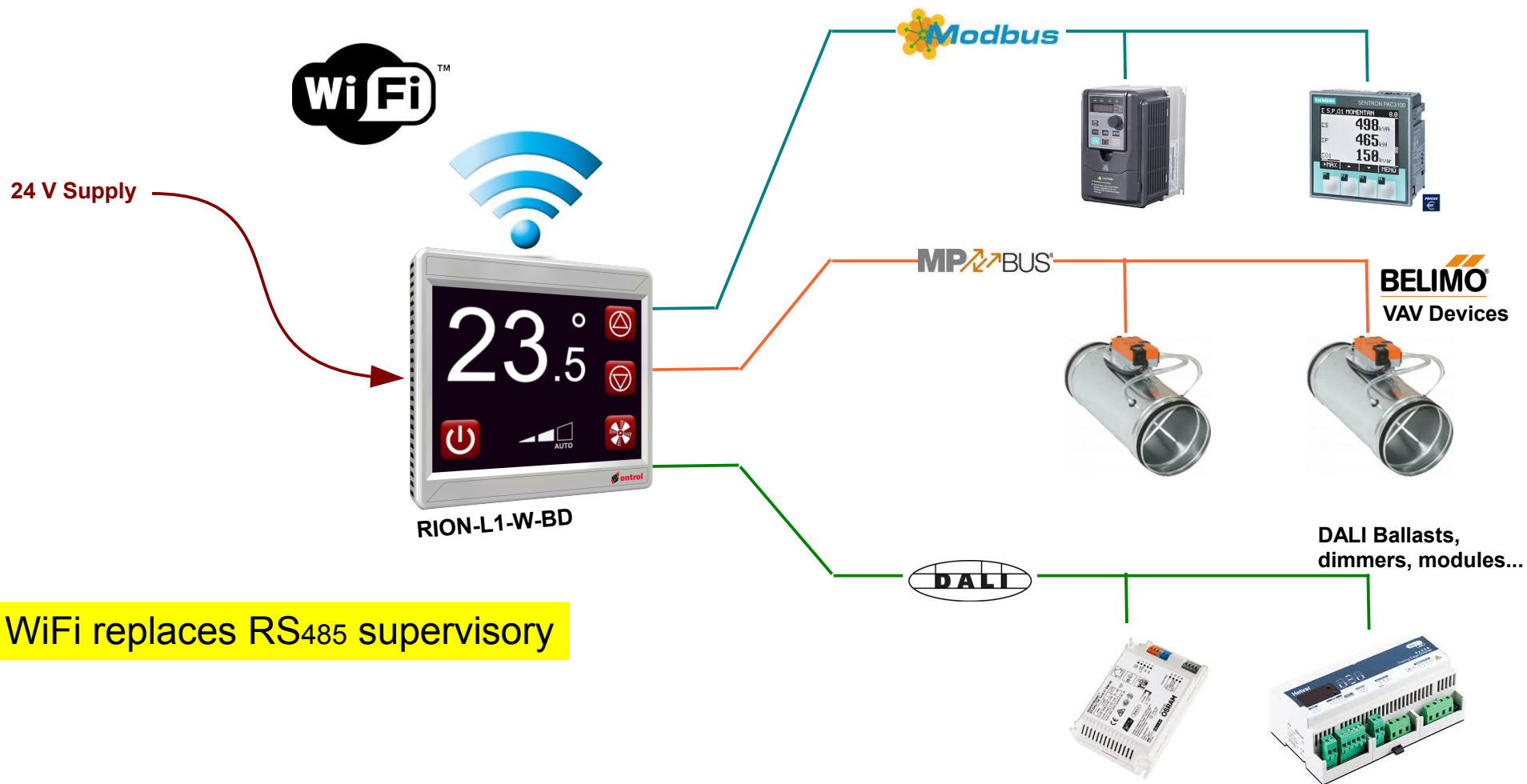


- Integral temperature sensor standard on all versions



R-ION Topologies

WiFi option available on topologies



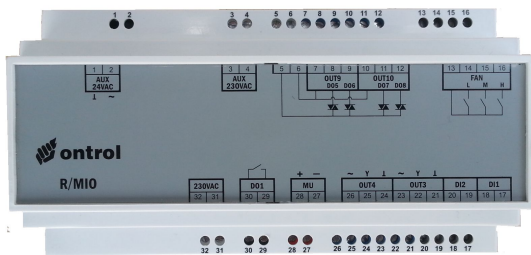
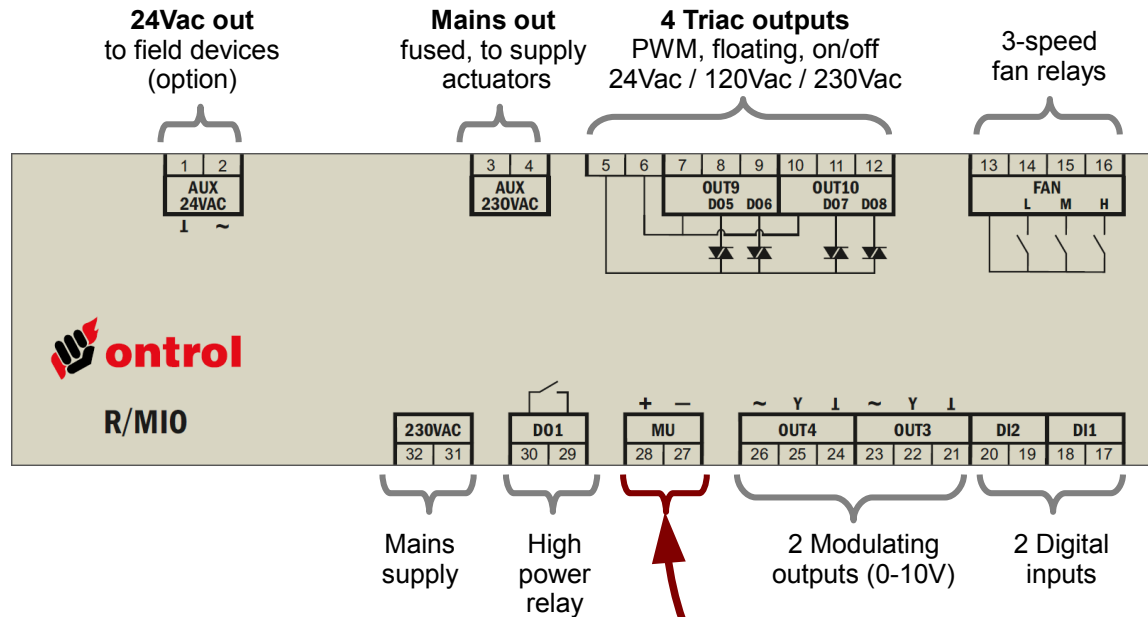
- Integral temperature sensor standard on all versions



R-ION Topologies

Terminal unit control with physical I/O Option 1: R/MIO

- 2 Digital in
 - 2 Analog out
 - 3-speed fan out
 - 5 Digital out
- Relay board expansion (up to +4 relays)



24Vdc supply & comms



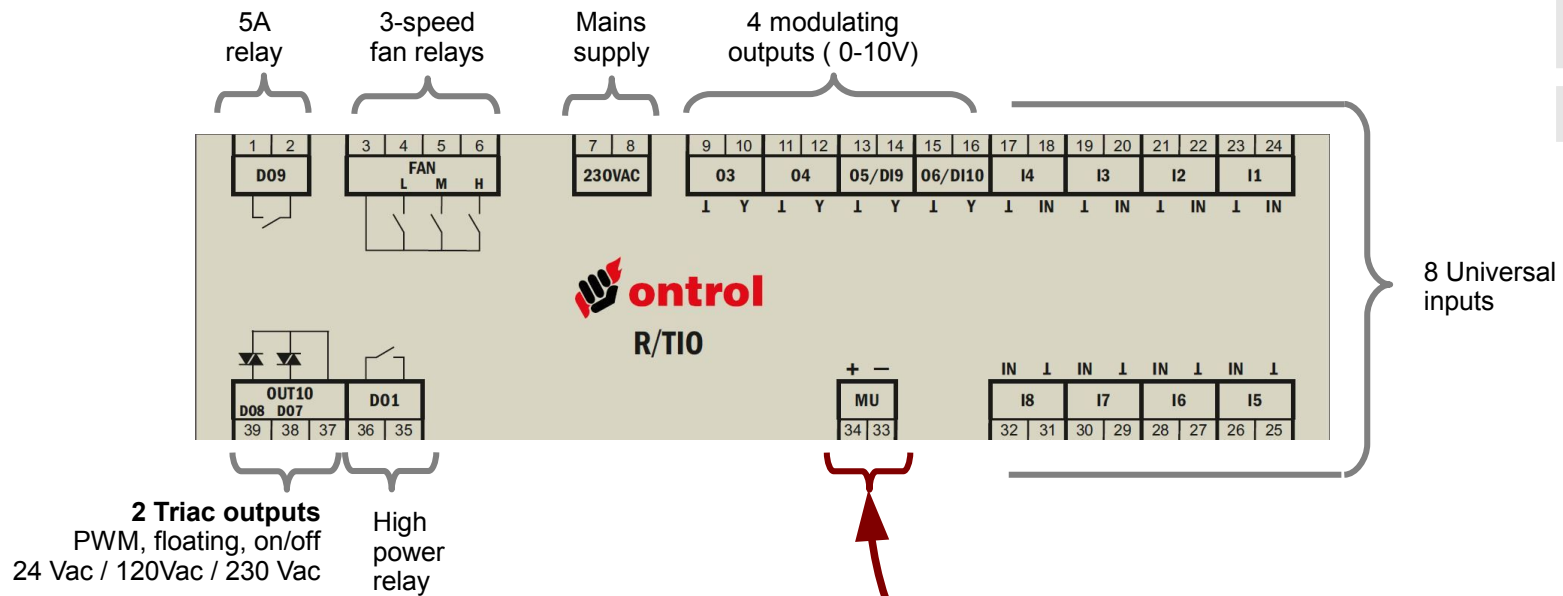
RION-L0-...



R-ION Topologies

Terminal unit control with physical I/O Option 2: R/TIO

- 8 Universal in
 - 4 Analog out
 - 7 Digital out
- Relay board expansion (up to +8 relays)
- Real-time-clock

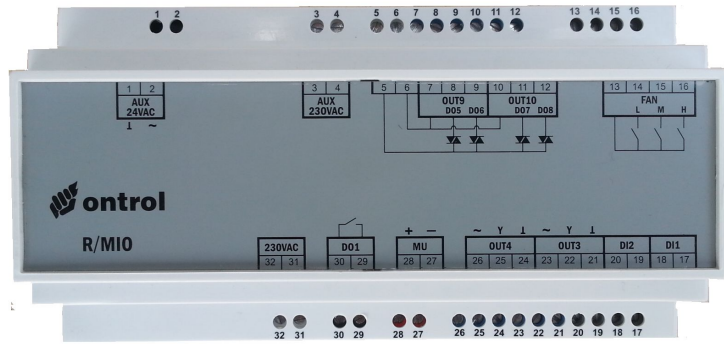


RION-L0-...



R-ION Topologies

DALI / MP-BUS still available together with I/O module



24Vdc supply
& comms



RS485 Modbus
to supervisory system



MP-BUS

DALI Ballasts,
dimmers, modules...

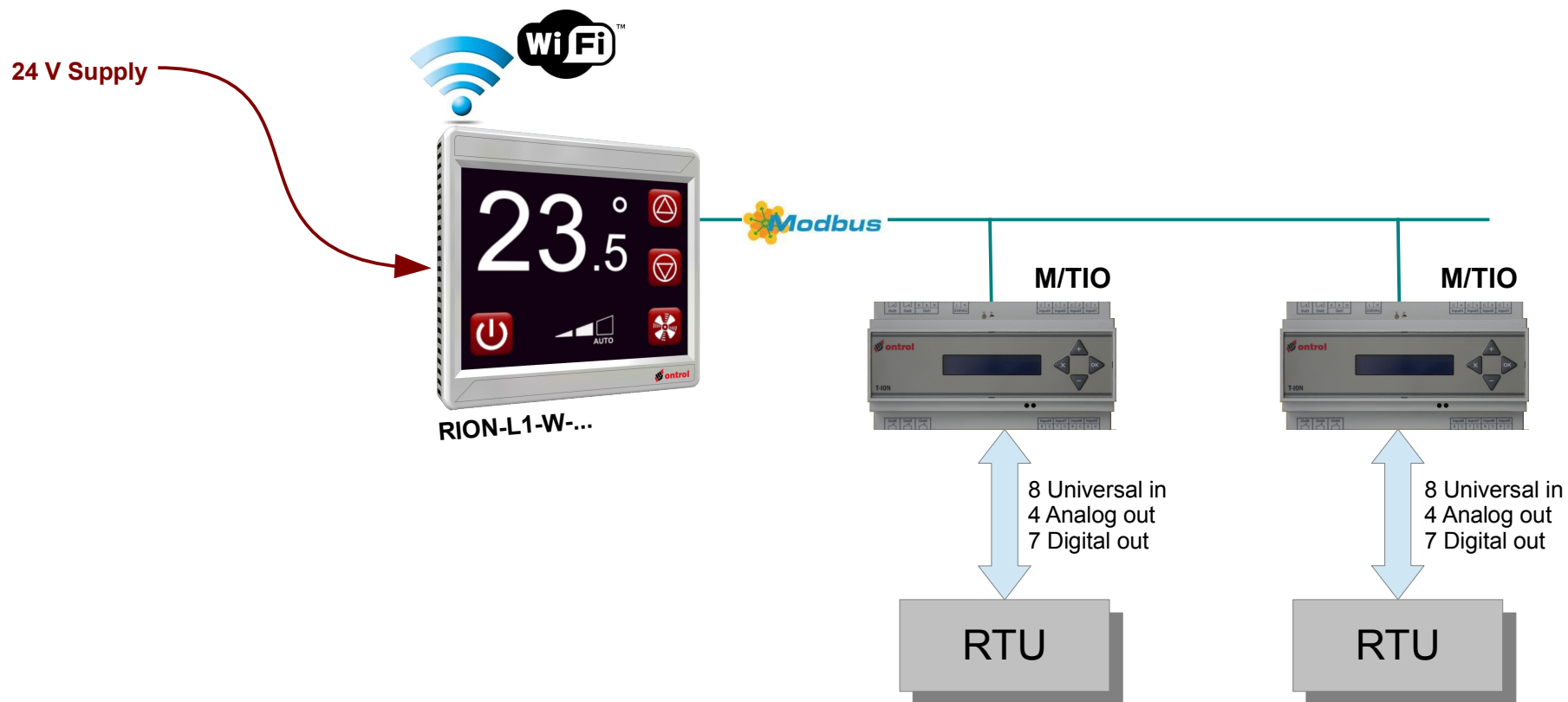


BELIMO
VAV Devices



R-ION Topologies

Small building RTU control solution





R-ION Topologies

Available hardware versions

	L0-S-D	L0-S-BD	L1-S-D	L1-S-BD	L0-W-D	L0-W-BD	L1-W-D	L1-W-BD
Port 1	RS485 (Modbus master/slave – BACnet MSTP)				WIFI (Sox – BACnet IP)			
Port 2	Ontrol DeviceBus ¹		Modbus master		Ontrol DeviceBus ¹		Modbus master	
Port 3 (Dali)	✓	✓	✓	✓	✓	✓	✓	✓
Port 4 (MP-Bus)	-	✓	-	✓	-	✓	-	✓
Supply	24 V dc ²		24 V ac/dc		24 Vdc ²		24 V ac/dc	

¹ Ontrol dedicated input/output modules R/MIO, R/TIO.....

² Power typically from Ontrol dedicated input/output module



- Integral temperature sensor standard on all versions