

SERIES VGF 3

THREE-WAY MIXING VALVE

Automatic Control Devices

General

These three-way, mixing valves provide proportional control of water or steam in heating, ventilating and air conditioning systems.

Features

- Globe type three-way mixing valve
- Cast iron or ductile iron body with flanged end connections
- Stainless steel trim
- Very low leakage rate
- Suitable for Control actuators
- Direct acting, stem down closes port B.
- No stroke adjustment



SPECIFICATIONS

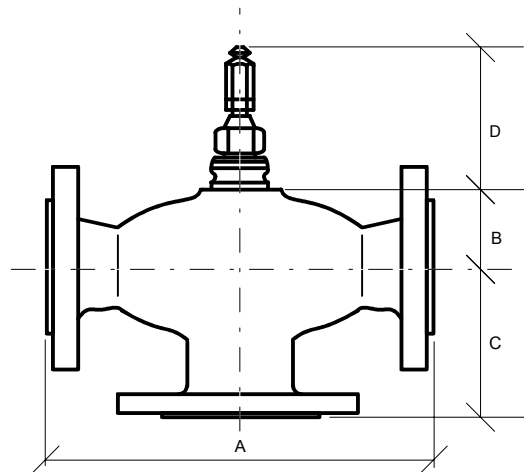
Model	:	VGF 3 three-way mixing valve
Nominal Pressure Rating	:	PN 16 (PN25 on request)
Body End Connections	:	Flanged (suitable to DIN norms)
Flow Characteristic	:	Port A-AB equal percentage Port B-AB linear
Rangeability	:	30:1
Leakage Rate	:	<0.5% of k_{VS} A-AB <1.0% of k_{VS} B-AB
Stroke	:	ND15...ND80 20 mm ND100..ND150..... 38 mm
Valve Body Material	:	PN16 Cast iron PN25 Ductile iron
Dimensions	:	See figure
Trim	:	Stainless steel
Seat	:	Integrated in valve body
Plug	:	Skirt-guided with equal percentage flow characteristic
Packing	:	Spring loaded PTFE cone rings
Max. Medium Temperature and Pressure	:	For PN16.....between 2.....120°C, 16 Bar between 120...170°C, 14 Bar For PN25 between 2.....220°C, 25 Bar

Close-Off Rating (bar) kPa=barx100

Actuator Model	Force	ND15	ND20	ND25	ND32	ND40	ND50	ND65	ND80	ND100	ND125	ND150
MVS-20N...	1800 N	16	16	16	10	10	10	6.5	3.0			
MVG-20N...	12500N	25	25	25	25	25	25	25	25			
MVS-20A... MVS-20Y...	600 N	10	10	10	7.5	4.6	2.6	1.5	0.8			
MVG-20A... MVG-20Y...	4500N	25	25	25	25	25	23	13.5	9			
MVS-38N...	1800 N									2.3	0.9	0.9
MVG-38N...	6200 N									8	5	3.5
MVS-38Y...	600 N									0.5	0.2	0.2
MVG-38Y...	600 N									2.8	1.8	1.3

Dimensions (mm)

	A	B	C
ND15	130	55	90
ND20	150	55	95
ND25	160	60	100
ND32	180	60	105
ND40	200	65	115
ND50	230	70	125
ND65	290	77	145
ND80	310	90	155
ND100	350	110	175
ND125	410	125	180
ND150	480	140	200



When trim is down (A-AB) is Open D=107 mm
 When trim is up (B-AB) is Open D=127 mm (for ND15...ND80)
 D=145 mm (for ND100...ND150)

Flow Capacities

Valve Size	kvs
ND15	4.0
ND20	6.3
ND25	10
ND32	16
ND40	25
ND50	40
ND65	63
ND80	100

CONTROL VALVES CODING SYSTEM

V G E 3 - 16 - 80

Valve Size:
ND15...150

Nominal Pressure:
6 = PN6
16 = PN16
25 = PN25

Way:
3 = 3-way mixing valve
2 = 2-way valve

Connection Type:
F = Flanged
D = Screwed

Valve Type:
G = Glob
R = Rotary

Valve

Specifications subject to change without notice.