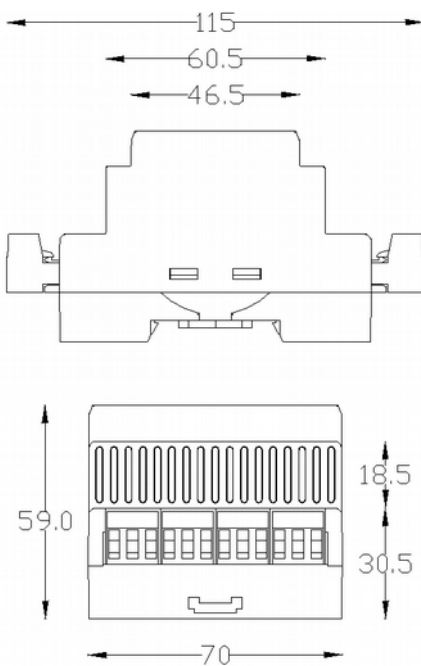
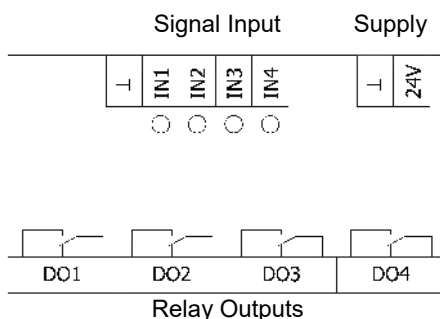


- RK4 is a general-purpose analog-to digital converter that can be used with any BMS controller
- LEDs indicate status of the relays
- Optional ribbon cable connection with compatible Ontrol's controllers
- Standard 35 mm DIN rail mounting


Dimensions (mm)

Specifications

Input signal limits	0 - 10 VDC / 0 - 24 VAC 50/60 Hz
ON position	5 - 10 VDC / 0 - 24 VAC 50/60 Hz
OFF position	0 V
Input impedance	33 kOhm
Output contacts	Relay SPDT, voltage free 10 A 250 V
Power supply	24 VAC \pm %10 / 24 VDC \pm %10
Power consumption	2W (100 mA for wire sizing)
Ambient conditons	-10...+50 °C % 5...95 rh, non-condensing
Weight	162 gr
Dimensions	115 x 70 x 59 mm (With terminals)
Mounting	35 mm DIN rail
IP	IP20, according to EN 60529
Connections	Plug-in, max 1 x 2.5 mm ²

Electrical Connection

Properties

RK4 is intended for use with various Ontrol controllers, or other BMS systems, to enable on/off switching of loads. It provides 4 independently switchable relays. For each relay, both normally-open and normally-closed contacts are available for wiring. LEDs indicate status of the relays.

RK4 has two modes of operation.

1. Analog Control : A 0-10 V input is provided for controlling each relay independently. In this mode, the RK4 is a general-purpose analog-to digital converter that can be used with any BMS controller. See above specifications for switching voltages.

2. Ribbon-cable connection : When connected to a compatible Ontrol controller via the ribbon cable connection, the relays are controlled by the attached controller. In this case, analog input terminals are not used.